



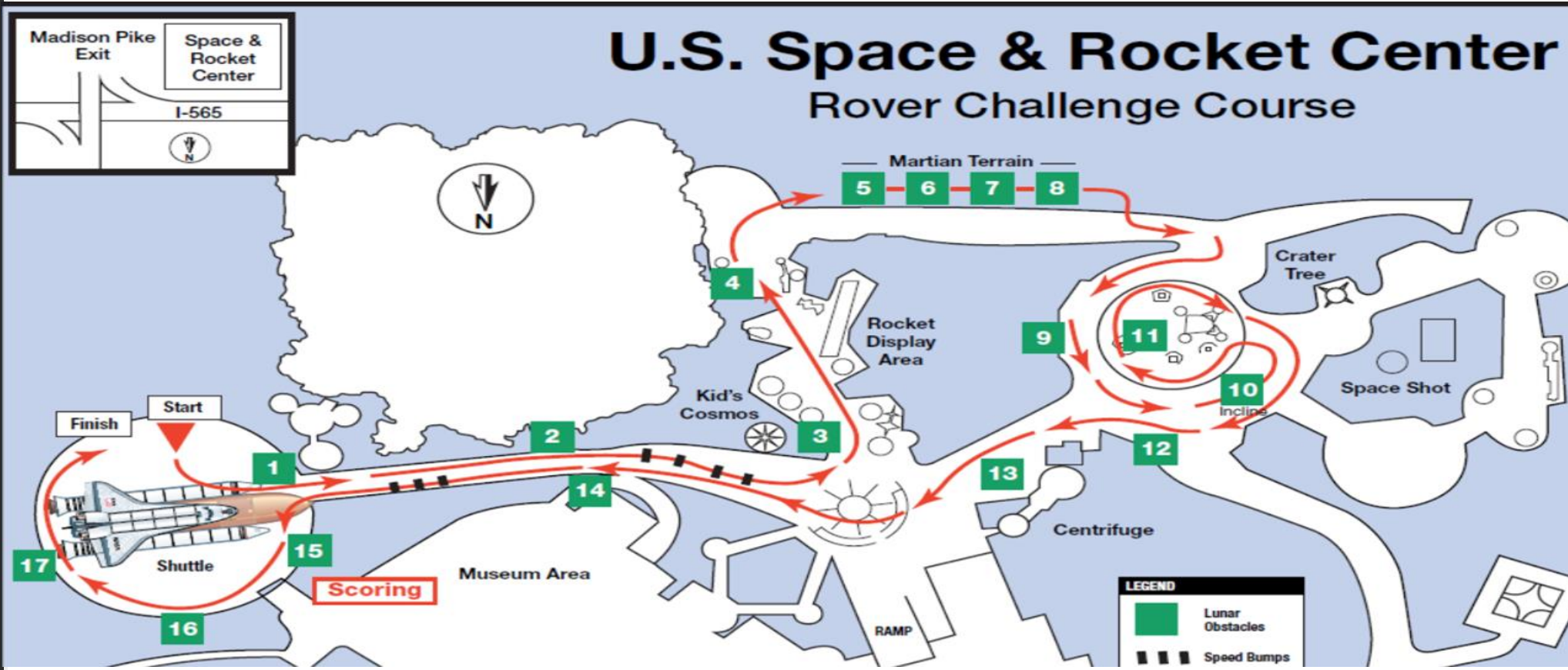
## Team 24: "Chandler's" NASA Human Exploration Rover Challenge

Andrew Bui, Glynn Cooper, Madison Davis, Cameron Fahrig, Melissa Gisevius, Summer Matherne



### Background

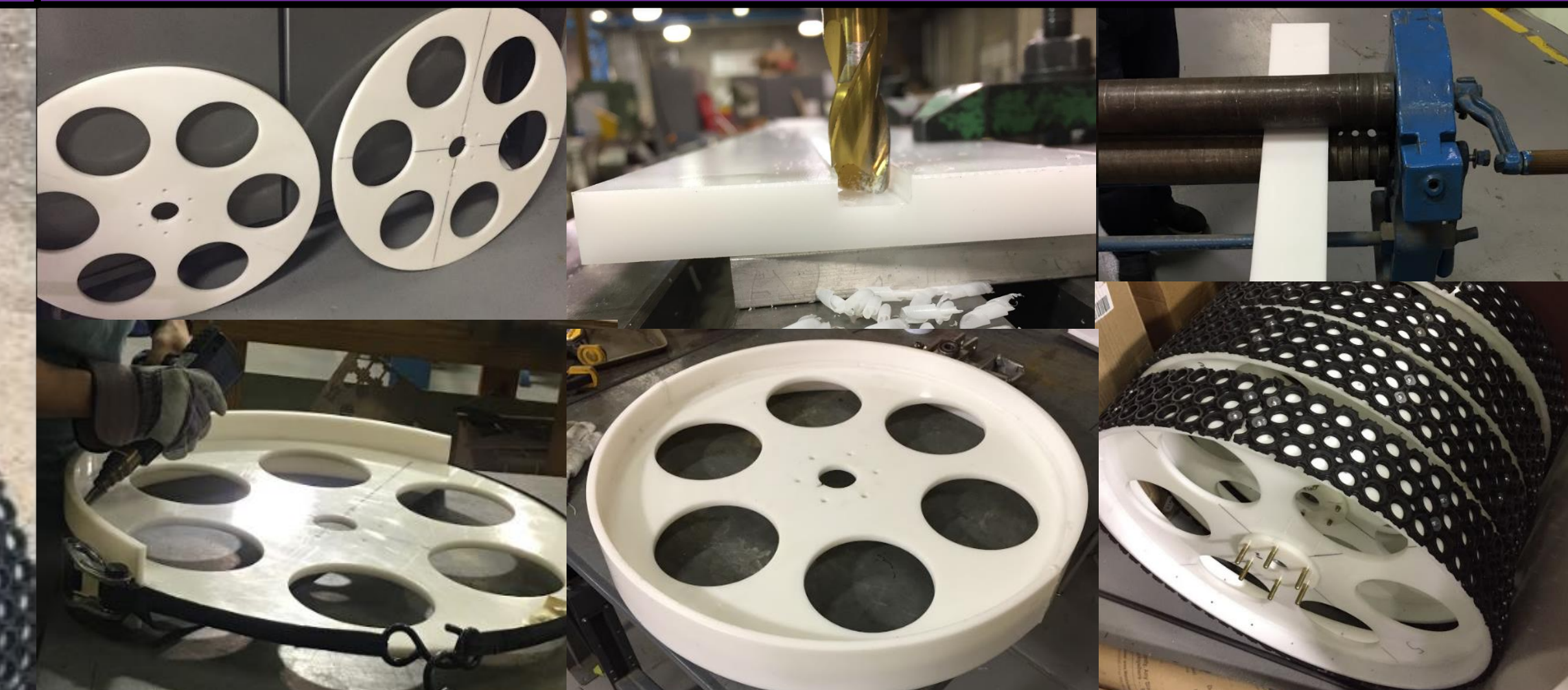
- March 30, 2017 at the US Space and Rocket Center in Huntsville, Alabama
- Competition course consisting of 17 obstacles.
- LSU Teams:
  - Tannin' Tigers (2015-2016): 32:53 20th of 34
  - Mike II (2016-2017): 19:06 15th of 38



### Mike II



### Wheel Manufacturing



Discs were cut and CNC'd out of HDPE. Channels were milled through the center of the rims and they were put through the roller to bend them into semicircles. A heat gun was used to plastic weld the rims to the disks. Bar mat was secured to HDPE rims with screws and washers

### Testing and Validation



Rock Outcropping Testing      Crevice Obstacle at Competition      Gravel Pit at Competition



Assembly Time Testing      Carry Test at Competition      Size Test at Competition

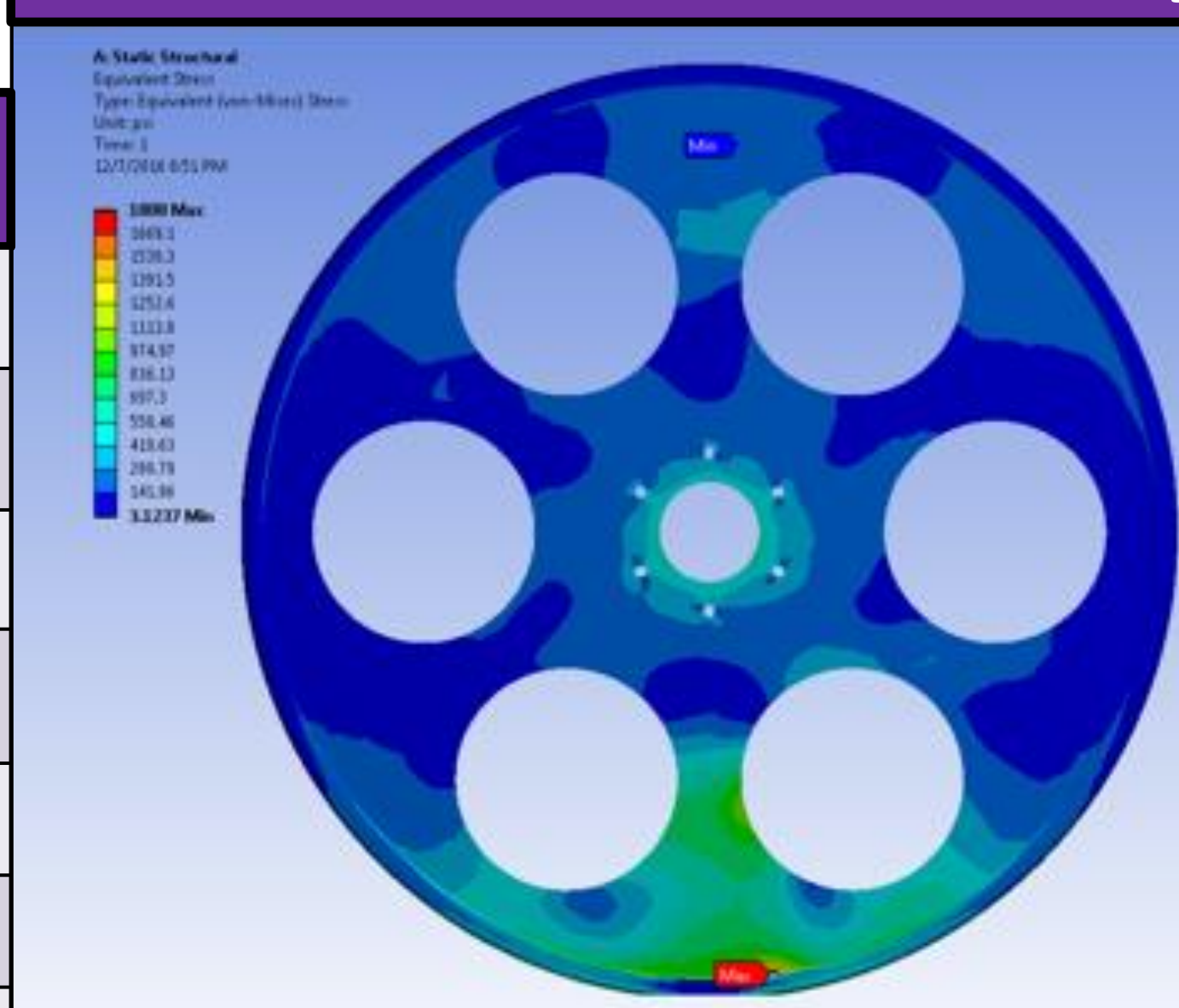
### Objective Statement

To design, manufacture, and test the human powered rover based on the constraints set by NASA in the competition rules to complete the obstacle course with minimal penalties

### Engineering Specifications

Specifications	Target	Actual
Average Speed	5.5mph	2.55mph
Turn Radius	≤15ft	≤11ft
Vehicle Weight	225lbs	277lbs
Braking Distance	4-8ft	7.5ft
Width	≤60in	54in
Fender Area	≥120in <sup>2</sup>	145in <sup>2</sup>
Collapsed Size	60x60x60in <sup>3</sup>	54x58x43.5in <sup>3</sup>
Vehicle Clearance	≥15in	15.5in
Assembly Time	<18s	10.42s

### Main Component Analysis

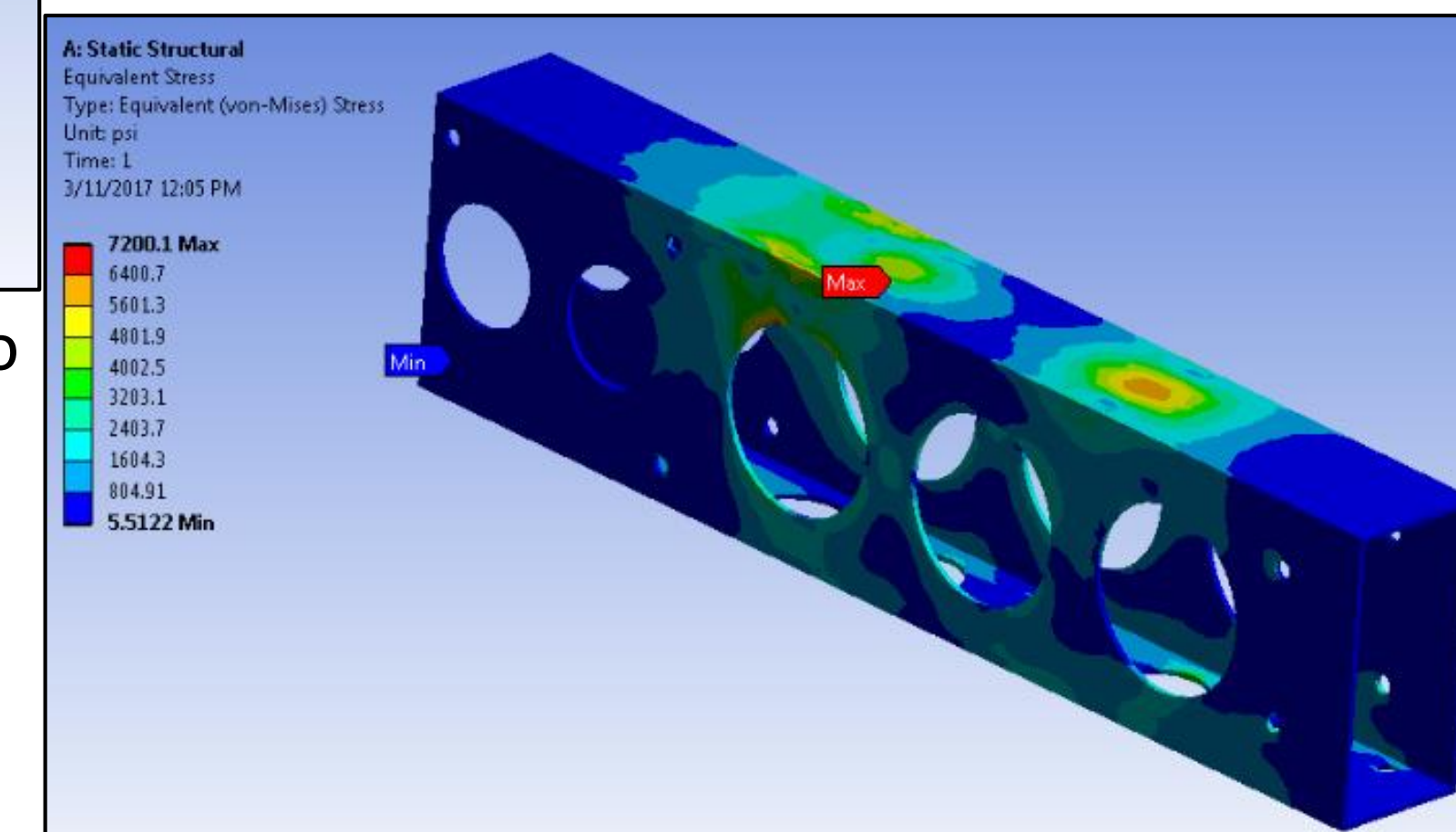


#### Finite Element Analysis (FEA) on wheel

- Loads Applied:
  - 250lb bearing load
  - 75ft-lb moment
  - 50lb axial load
  - fixed at bottom surface
- Max Stress: 1808 psi
- Yield Strength of HDPE: 3800 psi
- Factor of Safety: 2.1

#### FEA on frame after cutting out holes to cut weight

- Max Stress: 7200 psi
- Factor of Safety: 6.4
- Weight cut per half frame: 2.8lbs



### Safety



Drivers at the starting line after having passed the safety inspection by the NASA officials. Drivers must wear proper PPE and vehicle must be deemed safe for course

### Budget: \$7000

